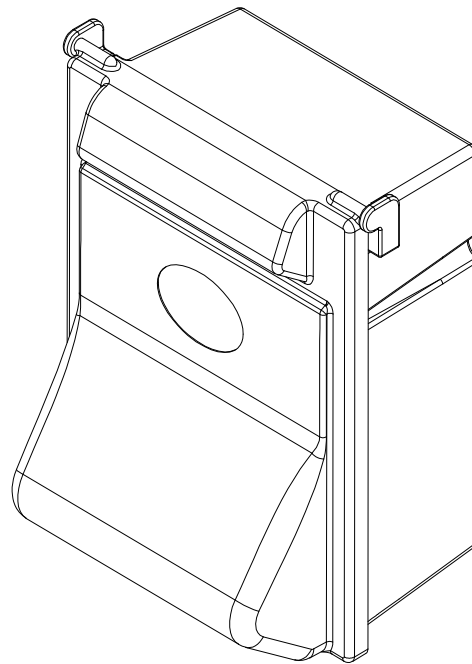


EnergyMate
INSTALLATION
&
MAINTENANCE
MANUAL



EnergyMate Installation Instructions

1. Site Preparation

- All wiring must be performed by certified/licensed electricians. This work must meet all local building codes.
- The EnergyMate can be mounted on a optional stand provided by HyPower, or with the optional mounting bracket, to a post, railing or wall as the user requires. If the unit is to be mounted on something other than a HyPower stand or along with the optional mounting bracket, four (4) mounting holes need to be provided for 1/4" bolts in a rectangular pattern 10" high by 6" wide. These mounting points are evident when looking inside the EnergyMate enclosure.

Conduit, Conduit Nuts, Conduit Reducing Plates, and Mounting Bolts are supplied by others (usually the contractor).

- Electric, phone and TV lines can be brought into the unit through Knockouts provided in the bottom and in the lower back. These 2" diameter holes allow for up to 1 1/2" conduit. If smaller conduit will be used, holes should be drilled in these locations instead of removing the knockouts.

2. EnergyMate Preparation

- Open the Cover and remove the two 1/4" and two #10 screws from the Receptacle Panel and set aside. Pull the Panel straight out.
- Drill out the four mounting holes referred to above with a 5/16" bit. These can be drilled from the outside by turning the EnergyMate on its face (with the Cover full open). *Be careful to limit the travel of the drill to prevent damaging anything inside the unit when the bit is through the box wall.*
- Provide the proper size hole for the conduit to be used at the site of the Knockout(s).
- Remove all plastic debris from these cutting operations.

3. Mounting

- Either Hex Head or Phillips Head 1/4" machine screws work well for mounting the EnergyMate.
- The Phillips Head screws may be easier to use because the top two mounting holes are slightly congested with the internal parts.
- Use a flat washer and a lock washer under the head of each mounting screw.
- Attach the conduit with a suitable washer and locknut or bushing. *The conduit must be aligned such that no significant stress will be put on the enclosure wall.*

4. Wiring the Equipment

- If mechanical lugs are used strip the electrical power wires as required. If mechanical lugs are not used, attach ring terminals for 1/4" studs on the electrical power wires (refer to the picture below).
- Connect the incoming wires (either loop feed or tap feed) to the Post or Lug with the matching color.
- Torque the terminal stud nuts to 45 in/lbs.
- If there is (the optional) telephone or TV connections, make them directly on the respective connector on the Receptacle Panel. These wires should enter the EnergyMate through the boxed area just above the knockout on the lower back wall. This area has no predefined knockouts so that holes can be drilled to meet the needs of the specific installation.
- Reinsert the Receptacle Panel and secure it with the removed screws. The Panel will need to go in flat until the circuit breakers clear the bottom of the Light Panel. Once clear the Panel can be pivoted from the bottom edge onto the breaker stabs.

