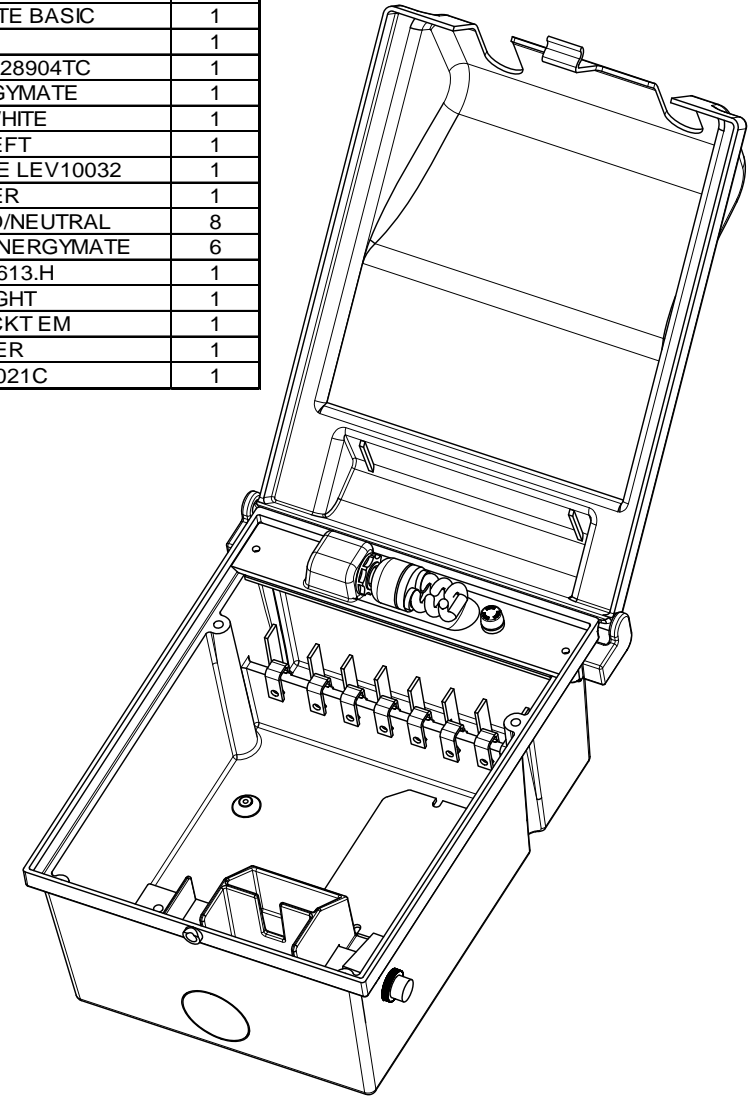
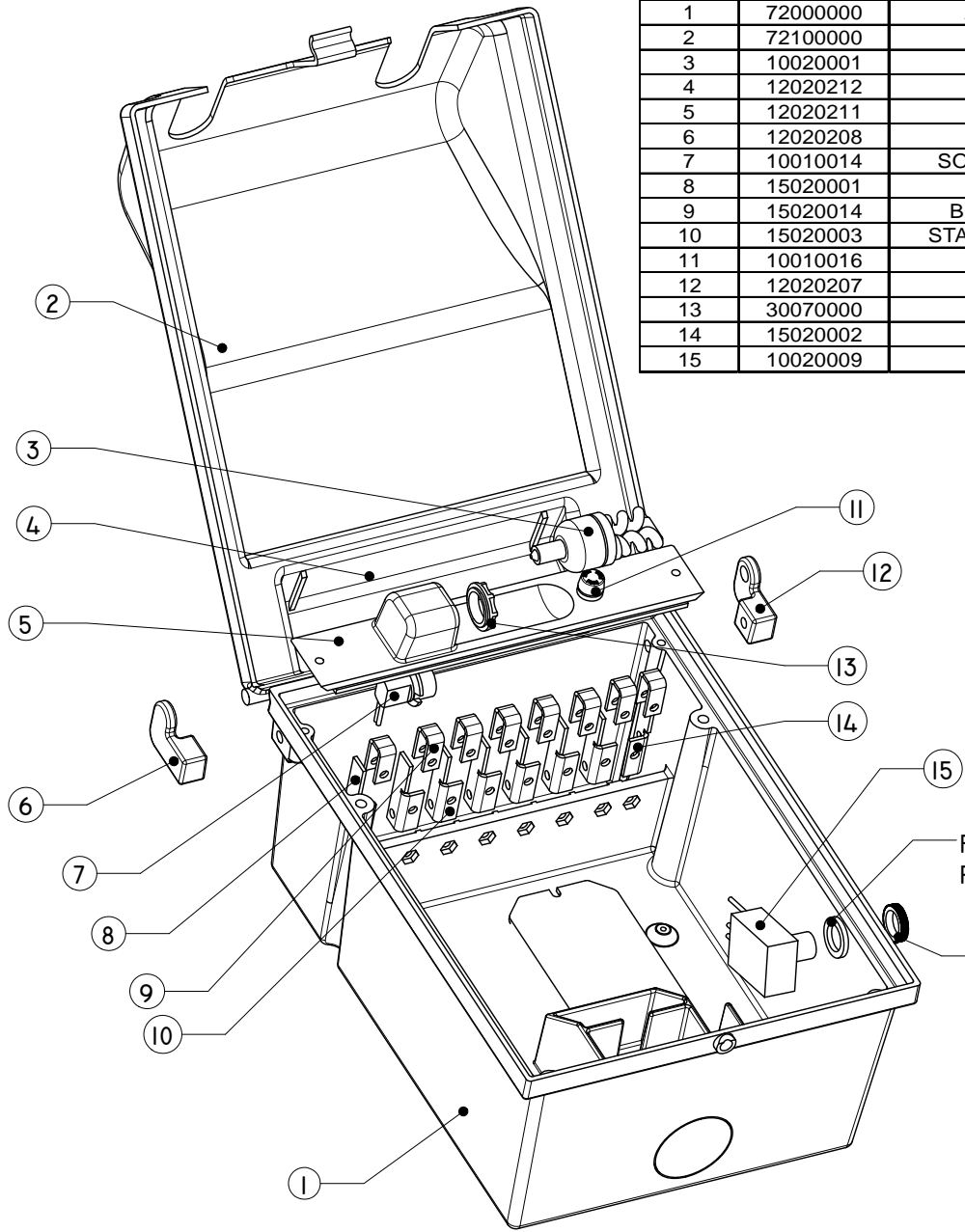



ITEM #	PART #	DESCRIPTION	QTY
1	72000000	ASSY, BASE ENERGYMATE BASIC	1
2	72100000	ASSY, EM LID	1
3	10020001	LAMP FLUOR. TWIST 4W 28904TC	1
4	12020212	LENS FROSTED ENERGYMATE	1
5	12020211	PANEL LIGHT BAR WHITE	1
6	12020208	HINGE HOUSING LEFT	1
7	10010014	SOCKET LAMP ENERGIMATE LEV10032	1
8	15020001	STAB LEFT POWER	1
9	15020014	BRACKET U-CLIP GROUND/NEUTRAL	8
10	15020003	STAB RIGHT HAND SHORT ENERGYMATE	6
11	10010016	HOLDER FUSE .3450613.H	1
12	12020207	HINGE HOUSING RIGHT	1
13	30070000	NUT PLASTIC LIGHT SCKT EM	1
14	15020002	STAB RIGHT POWER	1
15	10020009	PHOTO CELL 1NTK4021C	1



UNLESS OTHERWISE NOTED, ALL DIMENSIONAL TOLERANCES TO BE AS FOLLOWS: ± 1/32" ALL ANGLES TO BE ±1°		TITLE: ASSY, ENERGIMATE BASIC		DWG NO. 84000000	
 HydroHoist International, Inc. P.O. Box 1288 Cherokee, OK 74019 1-800-435-4179		MATERIAL: NOTED		NEXT ASSY.	
		FINISH:	WEIGHT:	DWG. BY: TH	SCALE: 1:12
APPROVAL:	ENG.	MFG.	PURCH.	DATE CREATED: 1/16/08	
				SHEET 1 OF 1	

REV.	DATE	DESCRIPTION	ECO #	BY