

EnergyMate®

MARINA
RV PARK
BUSINESS
HOME

EnergyMate® is the simple and affordable solution for marinas, RV campgrounds and home. Its compact size is ideal for any location and delivers power with a capacity of 120 amperes where you need it. Just like its big brother — PowerPort® — the EnergyMate® is built to last featuring PowerSnap® panel technology to save you time and money.



The Value Choice VS. Traditional Pedestals

FLEXIBILITY Receptacles and Breakers are on a quick service panel that snaps in and out making it easier to upgrade and service.

DURABILITY Built to handle tough environments for a longer life with fewer repairs.

DESIGN Safer and easier to use on-site, most electrical parts are standard and can be resupplied locally to reduce cost of ownership.

All-in-One Power and Storage HydroLocker and EnergyMate

- Versatile **EnergyMate** attaches to a **HydroLocker** to conveniently save space on the dock.
- Recessed back in the **HydroLocker** allows for safe secure placement of other utilities like water.
- The **HydroLocker** is a heavy duty polyethylene locker that is simply the strongest best looking one on the market.



CUSTOMERS RAVE ABOUT HYPOWER

“I am very pleased with my HyPower EnergyMate power panel. It has been under water during two hurricanes and a Nor’easter. When the storms passed everything came apart easily to clean and reassemble. Even the breakers worked!

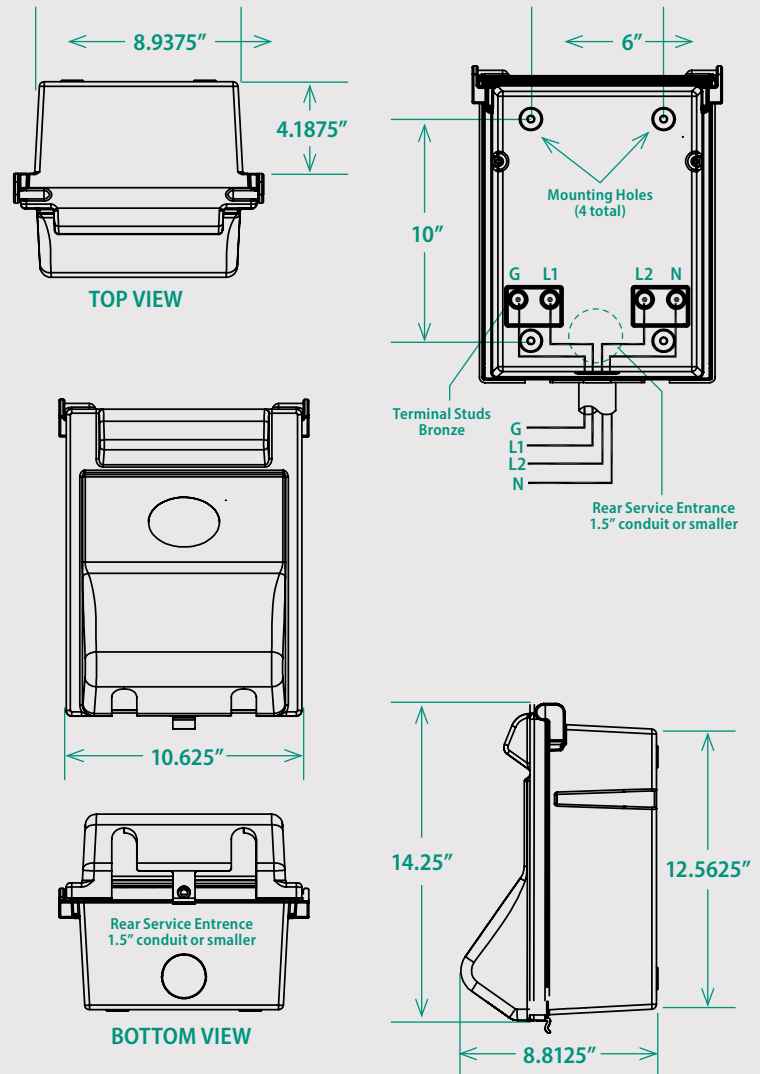
— PHIL R., SATISFIED CUSTOMER

STANDARD FEATURES

- Non-conductive polycarbonate injection molded body with UV protection
- Prewired with standard copper wire to 200 ampere with provided non-metallic separation of high-voltage and low-voltage
- Field wiring terminals to 2 AWG wire
- Lockable hinged door with padlock
- Photo-cell activated lighting with a 5W LED bulb and your choice of a clear or amber lens
- PowerSnap panels
- Receptacles and breakers to include 50A, 30A and 20A Marine/RV with matching breakers
- Brass connectors/stainless steel screws at all high stress points for stronger assembly
- UL certified, ADA compliant, and meets or exceeds all NEC and NFPA requirements

OPTIONS

- Mounting options — (1) Bracket mounting kit for mounting EnergyMate to a pole or pier (2) 42" powder coated heavy duty 6063 marine grade aluminum stand for dock/deck mounting
- Up to (2) 3/4" hose bibs with ADA compliant turn ball valves and brass backflow preventers on optional stands
- CATV and Internet/ CAT5 connectors
- Custom logos available
- Metering for both electric and water utilities (water only with optional stand)



powerpedestal.com

918.341.6811 | Fax: 918.341.1178

Email: sales@powerpedestal.com

Technical assistance: support@powerpedestal.com

915 West Blue Starr Drive ■ Claremore, OK 74017 USA