
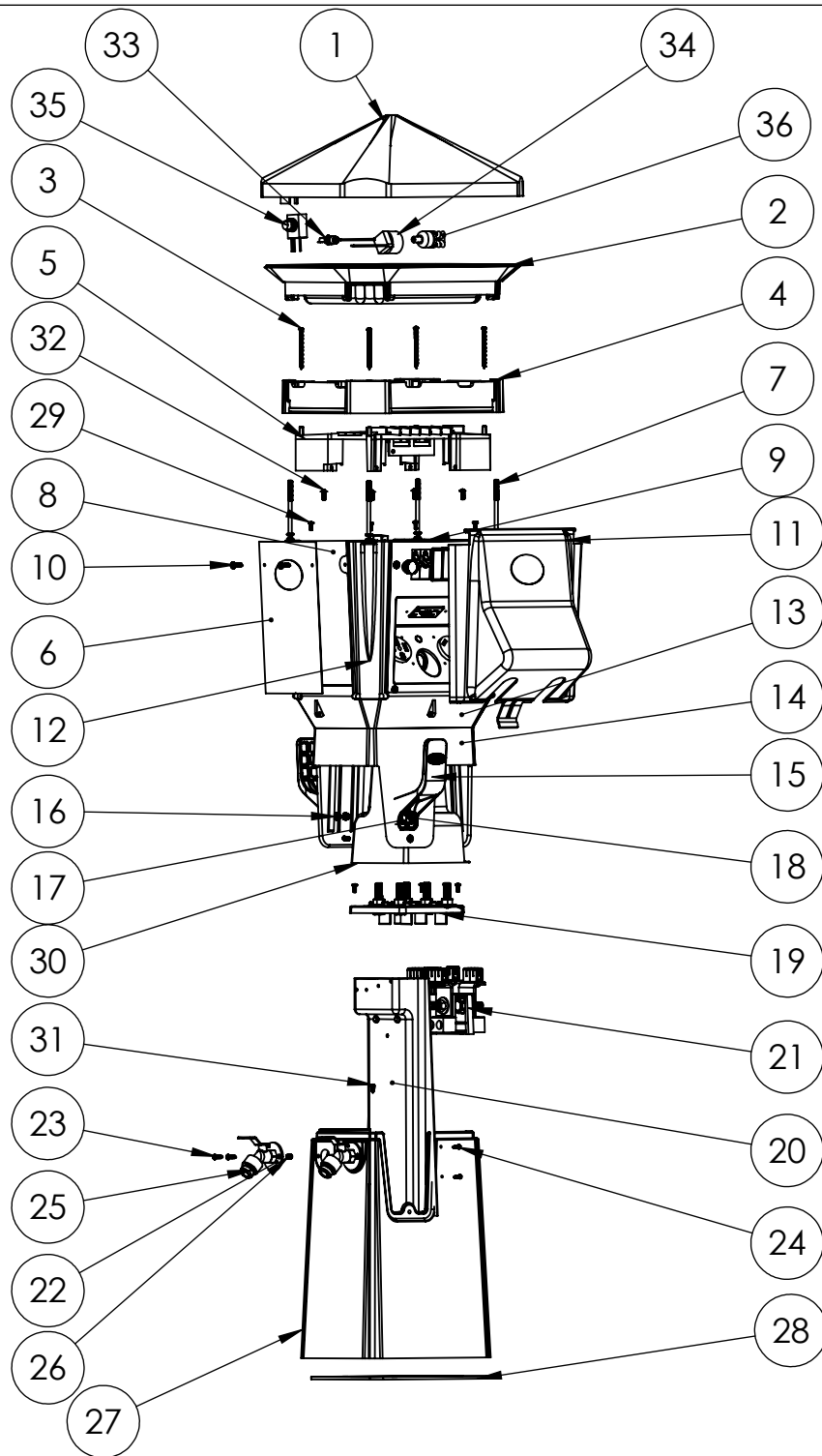



ITEM NO.	PART NUMBER	DESCRIPTION	QTY.
1	80000000	LID/TOP - WHITE	1
	80000001	LID/TOP - BLUE	
	80000002	LID/TOP - GREEN	
2	12010217	LENS - CLEAR PL10	1
	12010216	LENS - AMBER PL11	
3	30000033	SCREW - PAN PHIL TYPE A 10 x 3	4
4	12010211	HOUSING - POWER HEAD TOP PL8	1
5	70000113	DISTRIBUTION LOAD BRACKET 1-SIDED	1
	70000108	DISTRIBUTION LOAD BRACKET 2 - SIDED	
6	12010219	PANEL - FLAT BLANK A SIDE PL14	2
7	30000010	SCREW - PAN PHIL 1/4-20 x 4	4
8	12010000	PANEL - FLAT B-SIDE 74043	1
9	POWERSNAP PANEL		1
10	30000030	SCREW - PAN PHIL 1/4-20 x .75	15
11	12010205	HOUSING - DOOR B SIDE PL20	1
12	12010210	HOUSING - POWER HEAD POST PL7	4
13	12010220	HOUSING - POWER HEAD BOTTOM ASSEMBLY W/ BRASS INSERTS	1
14	12010212	HOUSING - WAIST PL4	1
15	15000026	HOSE HANGER - MOLDED WHITE.	2
16	30010005	NUT - KEPS 1/4-20	4
17	30080008	WASHER - FLAT 1/4 X 0.625	8

ITEM NO.	PART NUMBER	DESCRIPTION	QTY.
18	30000032	SCREW - HEX HEAD 1/4-20 x .875	4
19	POWERSNAP WEATHER OR RINGCONNECT "WASIT"		
20	12010001	SHIELD - BASE FULL SIZE 74021	1
21	POWERSNAP WEATHER BASE^Power PEdistal		
22	35040002	FAUCET WATER BRNZ SILICOCK 3/4"	2
	35040000	FAUCET - WATER BRZ. SILLCOCK 1/2"	
23	30000034	SCREW - PAN PHIL 10-32 x .625	4
24	30000041	SCREW - PAN PHIL 8 x .75 TYPEA SS	4
25	35040003	PREVENTER - BACKFLOW 3/4"	2
26	30010002	INSERT - BRASS 10-32X.375 FLANGE	4
27	70000000	HOUSING - BASE	1
28	15000012	BASE PLATE - LARGE OPENING STD	1
29	30000035	SCREW - PAN PHIL 10-32 x .5	11
30	12010002	SHIELD - WIRE COLLAR 74025	1
31	30000040	SCREW - PAN PHIL 8 x .5 TYPEA SS	6
32	30000018	SCREW - TRUSS PHIL 10-32 x .625	4
33	10010016	FUSE HOLDER	1
34	10020012	LAMP SOCKET - INCANDESCENT	1
35	10020009	PHOTO CELL 1NTK4021C	1
36	10020001	LAMP FLUOR. TWIST 4W 28904TC	1
	10020015	BULB-LED 9WA LAMP (LED9A1930K)	

UNLESS OTHERWISE NOTED, ALL DIMENSIONAL TOLERANCES TO BE AS FOLLOWS: X.X = ±.13 X.XX = ±.03 ALL ANGLES TO BE ±1° X.XXX = ±.010		TITLE: <b>POWERPORT</b>		DWG NO. <b>86-PP-EXT</b>	
 HYPOWER HYDRO POWER PEDESTAL COMPANY		MATERIAL: <b>MATERIAL</b>		NEXT ASSY.	
		FINISH: <b>FINISH</b>	WEIGHT:	DWG. BY: <b>TYT</b>	SCALE: <b>1:2</b>
THIS DRAWING IS THE PROPERTY OF HYDROHOIST MARINE GROUP, INC. AND IS NOT TO BE USED FOR ANY PURPOSE DETRIMENTAL TO ITS INTEREST. WORK TO DIMENSIONS, EVEN WHEN SCALE IS GIVEN, AND REPORT ALL ERRORS.		ENG.	MFG.	PURCH.	DATE CREATED: <b>5/3/16</b>
				<b>SHEET 1 OF 2</b>	



UNLESS OTHERWISE NOTED, ALL DIMENSIONAL TOLERANCES TO BE AS FOLLOWS: X.X = ±.13 X.XX = ±.03 ALL ANGLES TO BE ±1° X.XXX = ±.010		TITLE: POWERPORT		DWG NO. 86-PP-EXT	
 HYPER POWER PEDESTAL COMPANY		MATERIAL: MATERIAL		NEXT ASSY.	
		FINISH: FINISH	WEIGHT:	DWG. BY: TYT	SCALE: 1:14
APPROVAL:	ENG.	MFG.	PURCH.	DATE CREATED: 5/3/16	SHEET 2 OF 2