



THE POWER PEDESTAL COMPANY

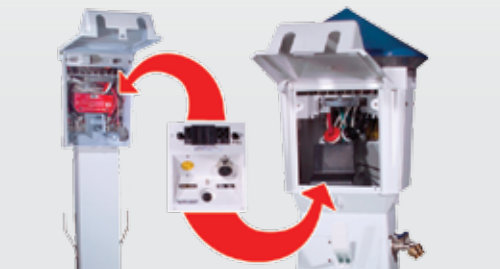
Unrivalled versatility in a power pedestal.



PowerPort®

MARINA
RV PARK
BUSINESS
HOME

HyPower's design and engineering have always been about ease of use for our customers. **PowerPort®** is the culmination of that philosophy. It stands out over other traditional power pedestals with four functional built-in sides for added flexibility and convenience. PowerPort's wired, modular design features the PowerSnap® panel and 400 ampere capacity are certain to keep you ahead of your ever-changing electrical needs.



The Value Choice VS. Traditional Pedestals

FLEXIBILITY

Receptacles and Breakers are on a quick service panel that snaps in and out making it easier to upgrade and service.

DURABILITY

Built to handle tough environments for a longer life with fewer repairs.

DESIGN

Safer and easier to use on-site, most electrical parts are standard and can be resupplied locally to reduce cost of ownership.



PowerSnap® Hurricane Weather Base

- The optional **PowerSnap®** "Hurricane" Weather Base allows you to lift off and remove the head for safe storage to protect your investment
- **PowerSnap®** panels can be removed for winterization, during floods, hurricanes and other severe weather events
- Quickly get back up and operating after inclement weather



The head snaps out for safe storage during severe weather.

CUSTOMERS RAVE ABOUT HYPOWER

“Our marina has been through three hurricanes. Thanks to the PowerSnap base, we were able to remove our pedestals from their bases and save them from being damaged. We also like being able to change power from slip to slip by just snapping in a different panel.”

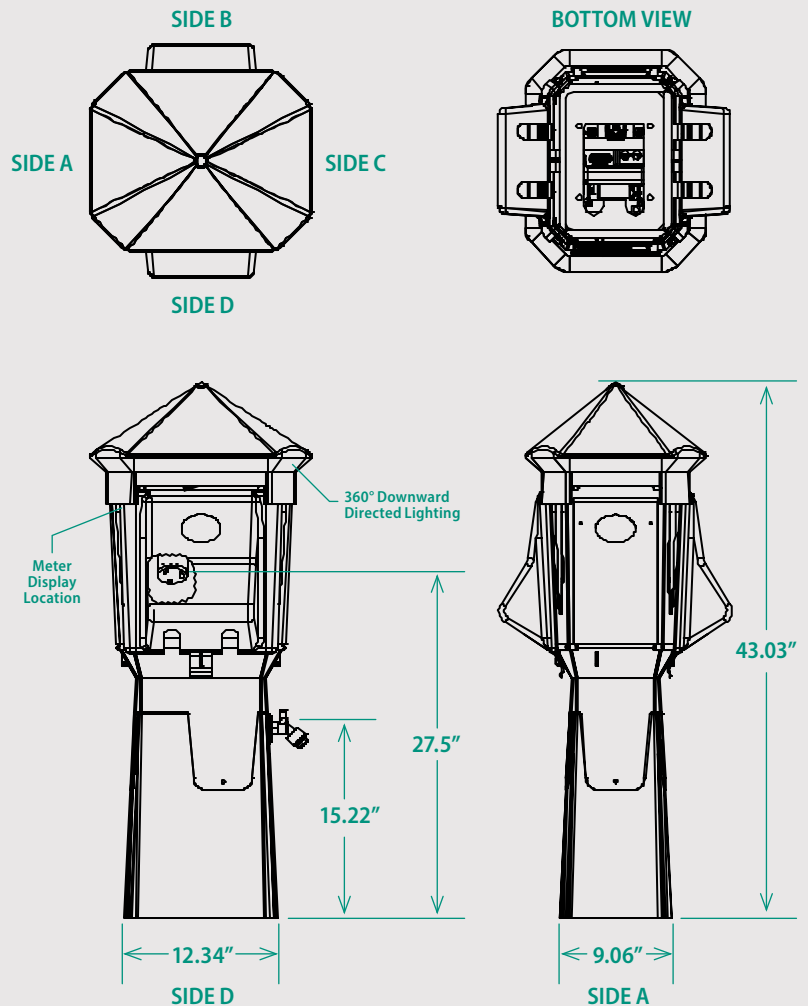
— BRIAN W., SPORTSMAN MARINA, ORANGE BEACH, AL

STANDARD FEATURES

- Non-conductive polycarbonate injection molded body with UV protection
- Safer more secure internal fastening system
- Prewired with standard copper wire to 400 ampere with provided non-metallic separation of high-voltage, low-voltage and water
- Field wiring terminals to 350 kcmil for current carrying conductors and 2/0 AWG grounding
- Lockable hinged door with your padlock
- Photo-cell activated 360° lighting with a 9W LED bulb and your choice of a clear or amber lens
- PowerSnap panels
- Receptacles and breakers to include 100A, 50A, 30A and 20A Marine/RV with matching standard breakers
- Brass connectors/stainless steel screws at all high stress points for stronger assembly; no more leaning on the docks or wallowing out
- UL certified, ADA compliant, and meets or exceeds all NEC and NFPA requirements

OPTIONS

- 3-Phase wiring available
- GFCI 5mA or GFEP 30mA breakers are available for 30A and 50A receptacles
- PowerSnap Hurricane Weather Base
- Up to two (2) 3/4" or 1/2" or hose bibs with ADA compliant turn ball valves and brass backflow preventers
- Lid/top colors: white, blue or green
- CATV and Internet/CAT5 connectors
- Custom logos available for branding
- Utility metering both electric and water with remote read capability



PowerPedestal.com

918.341.6811 | Fax: 918.341.1178

Email: sales@powerpedestal.com

Technical assistance: support@powerpedestal.com

915 West Blue Starr Drive ■ Claremore, OK 74017 USA

HYPOWER™

THE POWER PEDESTAL COMPANY

